

Libellula.WIZARD

Nesting, technology and machine code
in 4 steps and 3 versions.
Easier, faster and more versatile than ever!



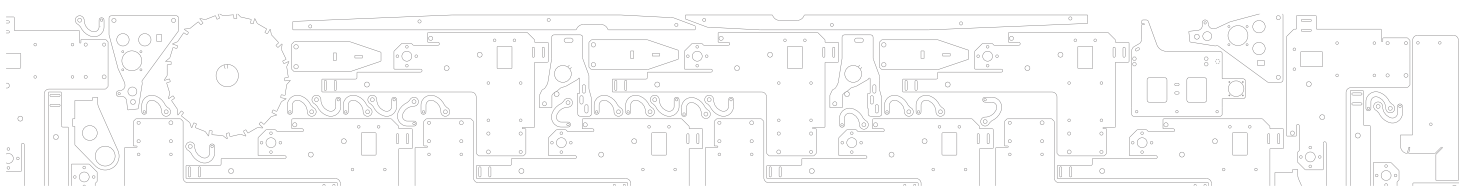


Programming for sheet metal cutting machines with laser technology, plasma, oxyfuel, and waterjet has never been so simple

Libellula.WIZARD is the revolutionary CAM application designed by the Libellula engineers to combine ease of use and quick preparation machine thanks to the innovative WIZARD mode, a real exclusive technological research, through a guided path reduces to 4 steps what software competitors offer through long and complex settings:

- Step 1. Job creation by importing parts to be produced
- Step 2. Nesting
- Step 3. Technology
- Step 4. Machine Code and Realistic Simulation

The software has been specifically developed to be also used through the touch-screen input type, and is therefore particularly suitable to be installed in the workshop on board the machine.



Libellula.WIZARD is available in 3 versions to suit every type of machine and cutting technology

- ✓ Libellula.WIZARD 1: Manual nesting – manual cutting path
- ✓ Libellula.WIZARD 2: automatic nesting – manual cutting path
- ✓ Libellula.WIZARD 3: automatic nesting – automatic cutting path

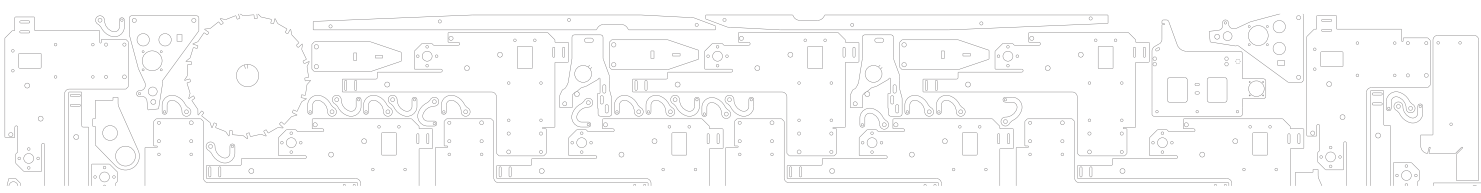
Libellula.WIZARD



IMMEDIATE VERIFICATION OF THE
PRODUCTION CYCLE



EASY TO USE AND PROGRAM THANKS
TO THE EXCLUSIVE ONE-CLICK LIBELLULA
TECHNOLOGY



Besides the ease of use, there is a wealth of features and functions that have no equal. The best of the famous Libellula experience



- ✔ **Monitor-touch and multi-touch interface:** light and ergonomic, specially sized for touch-screen typing
- ✔ **User friendly:** easy to learn, "Zero Training" Libellula philosophy
- ✔ **One-click:** you get to production via an easy guided path, minimizing the time required for preparation of the programs
- ✔ **Realistic simulation:** in the full version, Libellula.WIZARD allows you to check the production cycle just created in a realistic environment to test its correctness
- ✔ **Parametric figures:** a large number of figures that are most commonly used in the production sheet is made available in parametric form to enable the design of parts to be produced in a particularly fast way

Leverages the seamless integration of Libellula.WIZARD with the Libellula Universe software, thanks to add-on modules

mod.HVAC

- ✦ It's a module for the management of a rich library of designs for laser cutting parametric figures specific to the pipes of air systems, air-conditioning and ventilation systems
- ✦ The library includes three sets of figures: the circular and conical, the 'square' (rectangular, rounded rectangular and hoppers) and the oval, as well as including a rich set of complementary plane figures (eg. rings, flanges etc.)
- ✦ Once all parameters are defined, the module generates with a single click the nesting, cutting paths, the cutting program for the machine and places the task in the job queue

mod.BEVEL

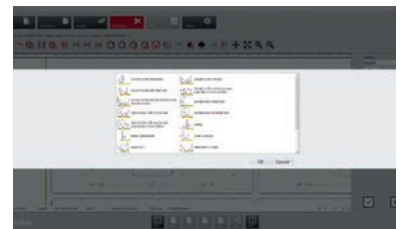
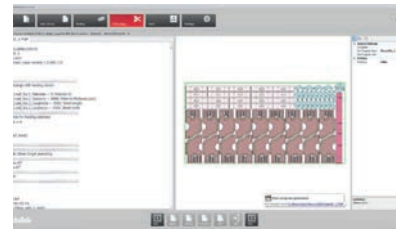
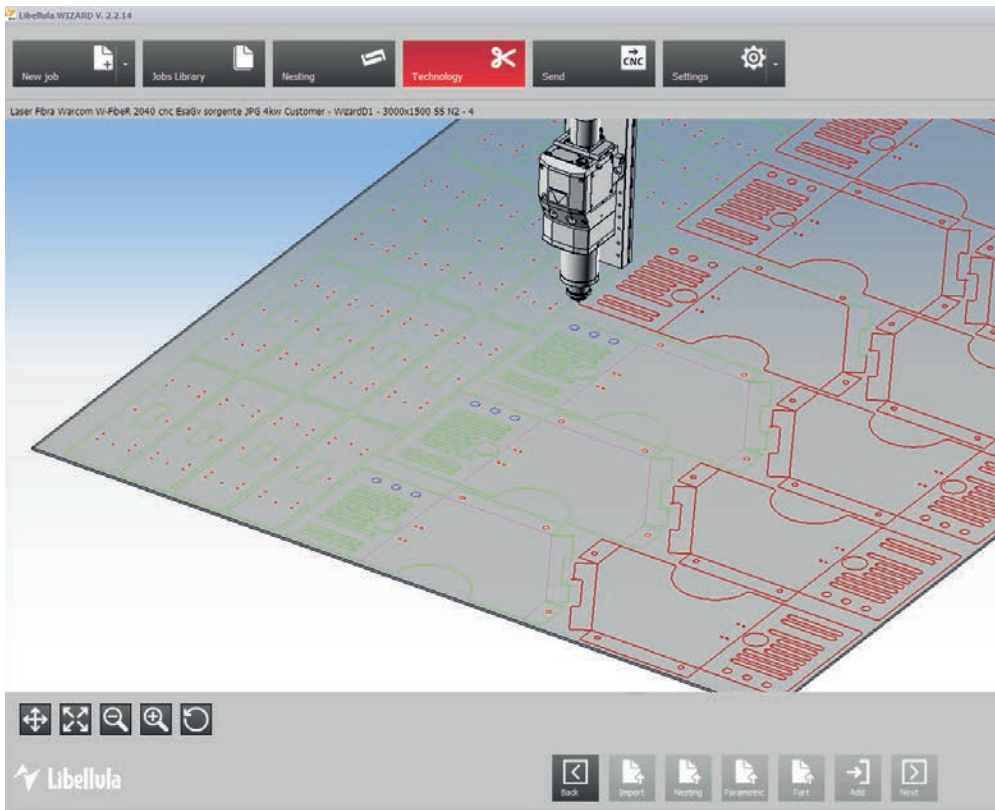
- ✦ It is the fastest and most efficient solution for the creation of the CNC code for sheet metal cutting machines equipped with bevel head
- ✦ Makes it extremely easy to manage different types of cuts: single cuts or loop, cuts with a varied angle on the same detail, cuts corners with recurrent bevel, cuts to negative inclination, shoulder bevel cuts, triple bevel
- ✦ It requires the use of Libellula.CAD for the creation of the details, provided with all the information relating to the bevel angles applied

mod.STORAGE

- ✦ It is the integrated module for the warehouse sheets management and processing remnants, which allows to know in real time the detailed situation of the magazine and its economic value
- ✦ Using different search parameters, the module allows a return values of stock divided by material (iron sheet, sheet steel, carbon steel, aluminum sheet), by characteristics (flat sheet, sheet metal, transparent sheets, rolling pantographs) or by destination of use (e.g. rolling gates)
- ✦ It allows you to have at any time an accurate situation of the availability of metal sheet metal for the optimal processing of nesting and keep automatically updated the status changes in stocks

Libellula.VISIO

- ✦ It's the software that supervises the monitoring of all stages of the manufacturing process of the sheet metal making possible the automated scheduling
- ✦ Enables the management of orders and production queues and can manage the assignment centrally or locally on the part of the operator, ensuring maximum flexibility
- ✦ It offers a series of exceptionally advanced features such as:
 - ✦ Management of processing queues
 - ✦ Execution and validation of production
 - ✦ Diagnosis and quality control of the pieces produced
 - ✦ Can direct interface to the numerical control
 - ✦ Loading management for the sheet metal and remnant machines



Libellula.WIZARD Configurations

Three different versions to fit any type and need of the sheet metal cutting:

Libellula.WIZARD 1 - Manual nesting – manual cutting path

It is the configuration of the input to the Libellula.WIZARD environment and allows importing DXF / DWG and NC drawing files for laser cutting, dispose one at a time on a single sheet and apply a duplication of the particular matrix, so as to minimize offcuts. After you have indicated the positioning of the attachment of the first detail, other identical parts are automatically processed in the same way, without the need to repeat the process.

The interaction with the user is limited to the time prior to the production of the postprocessor, which shall contain the FEED parameters of the cutting path and the other salient parameters for the production of a correct program.

Libellula.WIZARD 2 - automatic nesting – manual cutting path

It contains all the features of version 1, allowing in addition the creation of a list and the amount of detail to be cut. Automatic nesting will arrange to have the details on the sheet metal in the chosen format, in such a way as to minimize the scraps. For every single detail, you will only have to indicate the position of the lead-in to ensure a path of fast and efficient cutting.

Libellula.WIZARD 3 - automatic nesting – automatic cutting path

It is the complete configuration of Libellula.WIZARD, equipped with automatic nesting and calculation of the cutting path. The system then chooses independently the position of the attack and the optimal shape for each particular metal sheet, while all the optimal parameters for the management of the cutting technology will be automatically filled thanks to the presence of the appropriate parameter tables. The absolute ease of this configuration, allows anyone to arrive at the proper planning of its laser cutting machines, plasma, flame cutting or waterjet directly in the workshop, without the time and costs associated with learning a new system.



Microsoft Partner
Silver Application Development

Libellula S.r.l. - Headquarters

Via Savigliano 6/B/1 - 12062 Cherasco (CN) - Italy | Tel. +39 (0) 172 491834 - contact@libellula.eu

www.libellula.eu

