

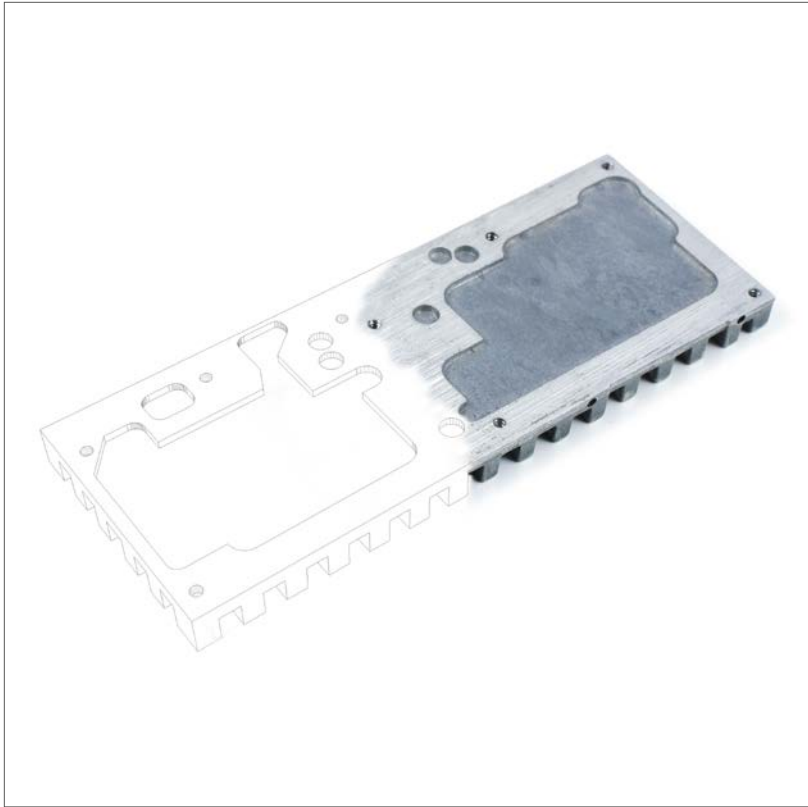
# Libellula.CAD

The new frontier in designing 3D models



*Line software*

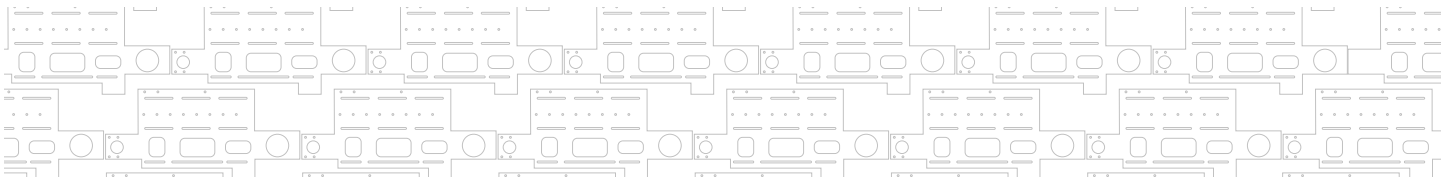
 From CAD 3D to the  
plan development



## The supreme evolution of design

Belonging to the Libellula suite Universe, Libellula.CAD itself is a powerful software and able to create high-precision 3D models.

Designed in accordance with Libellula's unique philosophy, it implies the absolute immediacy of operations: a few moments are sufficient to import files or entire nesting procedures to be sent to the sheet metal processing software such as Libellula.CUT.



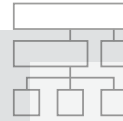
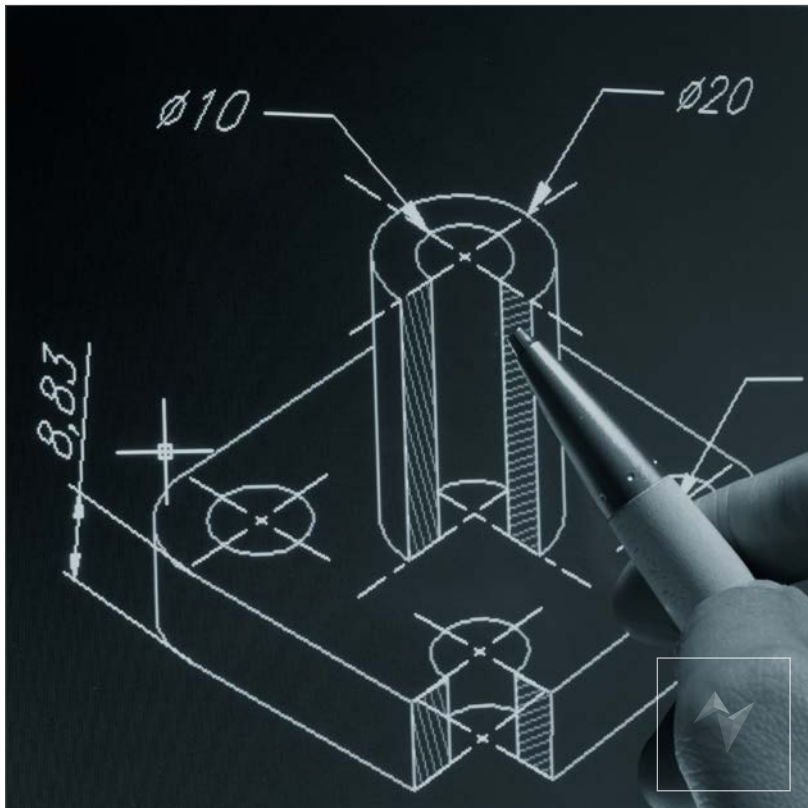
## Intelligent shape analyser is fully integrated into the Libellula software environment.

- ✦ The ISA - Intelligent Shape Analyzer - developed by Libellula engineers, analyzes the model developed by Libellula.CAD, sectioning into parts and finding the optimal parameters
- ✦ From Libellula.CAD, the model then passes to the UNFOLD module, which develops in a plan the 3D model: transformed into plan the project is automatically sent to the Libellula.CUT cutting software

## Modelling in mixed techniques

With Libellula.CAD you can design models with different techniques: ruled surfaces, conical, smooth join protrusions, cylinders, boxes, elliptical plans giving life to a three-dimensional object immediately ready to be processed in the machine.

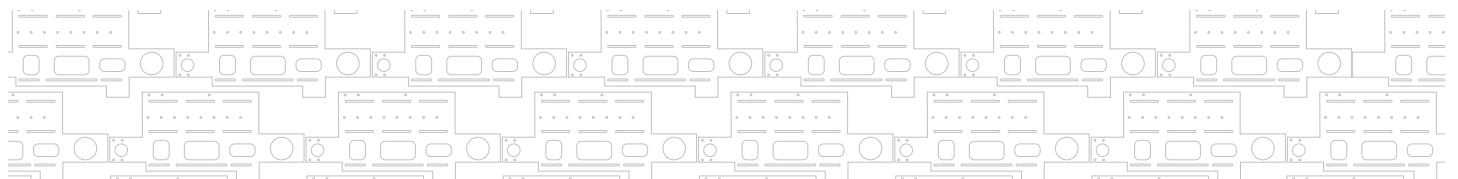
# Libellula.CAD



CREATING 2D AND 3D MODELS IN A FEW SIMPLE STEPS THANKS TO THE "ONE CLICK" LIBELLULA PHILOSOPHY



DESIGN MODELS WITH ANY TECHNIQUE



## Technical Features



- ✔ Creating 2D and 3D models
- ✔ Production documentary tables of advanced dimensioning and variables
- ✔ Models and parameters management
- ✔ Set Shot Peening
- ✔ Automatic calculation of the developments for pipes, extrusions and beams
- ✔ Photo editing 3D models
- ✔ Import of 2D and 3D special models in the formats STEP, AP 203/ AP214, Parasolid, SAT/ACIS and standard models in the formats set, STL, VDA AND IGES
- ✔ Import of 2D specials



**Microsoft Partner**  
Silver Application Development

**Libellula S.r.l. - Headquarters**

Via Savigliano 6/B/1 - 12062 Cherasco (CN) - Italy  
Tel. +39 (0) 172 491834 - Fax: +39 (0) 172 457970  
contact@libellula.eu

**Libellula S.a.r.l.**

380, avenue Blaise Pascal - 77550 Moissy Cramayel - France  
Tel. +33 (0) 476 227017  
contact.fr@libellula.eu

**Libellula SMS S.L.**

Pol. Ind. Silvota C/ Peña Santa-Parc. 12, LLANERA, 33192 - España  
Tel. +34 (0) 985 261 945 - Fax: +34 (0) 985 263 966  
contact.es@libellula.eu

**Libellula GmbH**

Pfnorstr. 10 - D-64293 Darmstadt - Deutschland  
Tel. +49 (0) 6151 9575838 - Fax: +49 (0) 6151 9575840  
contact.de@libellula.eu

**Libellula China**

No 48, Lane 1111 Shuying Rd, Minhang District, Shanghai, PRC  
201199 China Tel. +86 (0) 137 9520 3276  
contact.cn@libellula.eu

**Libellula do Brasil**

Av. Cândido de Abreu, 526 - CJ 907 B Centro Cívico Curitiba - PR  
CEP: 80530-905 Tel. +55 (0) 41 35327751  
contact.br@libellula.eu